



• ED6025 Series II.

DC Brushless fan.
Size: 60 x 60x 25 mm
2.4 x 1 Inches.
Airflow: Max. 54 CFM /1.5 m3/min
Plastic Impeller / Plastic Frame.

Model No.	Rated Voltage VDC	Voltage Range VDC	Input Power Watt	Rated Current Amp	Ref Speed RPM	Max. Airflow CFM	m3/min	Max. Static Pressure Inch/H2O	mm/H2O	Noise Level dB (A)	PQ Curves
ED6025-12SH**	12	7~13.2	14.4	1.2	9800	57	1.6	1.17	29.72	66	1
ED6025-12HHH**	12	7~13.2	9	0.75	8200	54	1.5	0.94	23.88	65	2
ED6025-12HH**	12	7~13.2	7.2	0.6	7500	49	1.4	0.787	19.99	63	3
ED6025-12H**	12	7~13.2	6	0.5	6800	45	1.3	0.559	14.2	56	4
ED6025-12M**	12	7~13.2	4.8	0.4	6000	40	1.1	0.433	11	53	5
ED6025-12L**	12	7~13.2	2.4	0.2	5000	35	1	0.25	6.35	40	6
ED6025-24EH**	24	14~26.4	8.4	0.35	8200	54	1.5	0.94	23.88	65	2
ED6025-24SHH**	24	14~26.4	7.2	0.3	7500	49	1.4	0.787	19.99	63	3
ED6025-24SH**	24	14~26.4	6	0.25	6800	45	1.3	0.559	14.2	56	4
ED6025-24HHH**	24	14~26.4	4.8	0.2	6000	40	1.1	0.433	11	53	5
ED6025-24HH**	24	14~26.4	3.6	0.15	5000	35	1	0.25	6.35	40	6
ED6025-48EH**	24	14~26.4	21.6	0.45	9800	57	1.6	1.17	29.72	66	1
ED6025-48SHH**	48	28~56	15.3	0.3	8200	54	1.5	0.94	23.88	65	2
ED6025-48SH**	48	28~56	9.6	0.2	7500	49	1.4	0.787	19.99	63	3
ED6025-48HHH**	48	28~56	7.2	0.15	6800	45	1.3	0.559	14.2	56	4
ED6025-48HH**	48	28~56	6.24	0.13	6000	40	1.1	0.443	11.25	53	5
ED6025-48H**	48	28~56	3.84	0.08	5000	35	1	0.25	6.35	40	6

** = "BL" for wire lead type Ball bearing Type.

-We reserve the right to change data and improve electrical & mechanical design without notice. data tolerance +10%

Motor

Motor Type: Brushless DC Motor, auto cutoff, auto restart optional only
 Burnout Protection: Electronically protected, polarity protected
 IP Protection: Ratings on request

Mechanical

Frame: Glass fiber reinforced thermoplastic, rated UL94V-0
 Impeller: 7 blades, glass fiber reinforced plastic, rated UL94V-0
 Bearing: Two ball bearings
 Rotation: CCW seen on rotor
 Connection: Wire lead
 Weight: 60 g (0.132 Lbs)

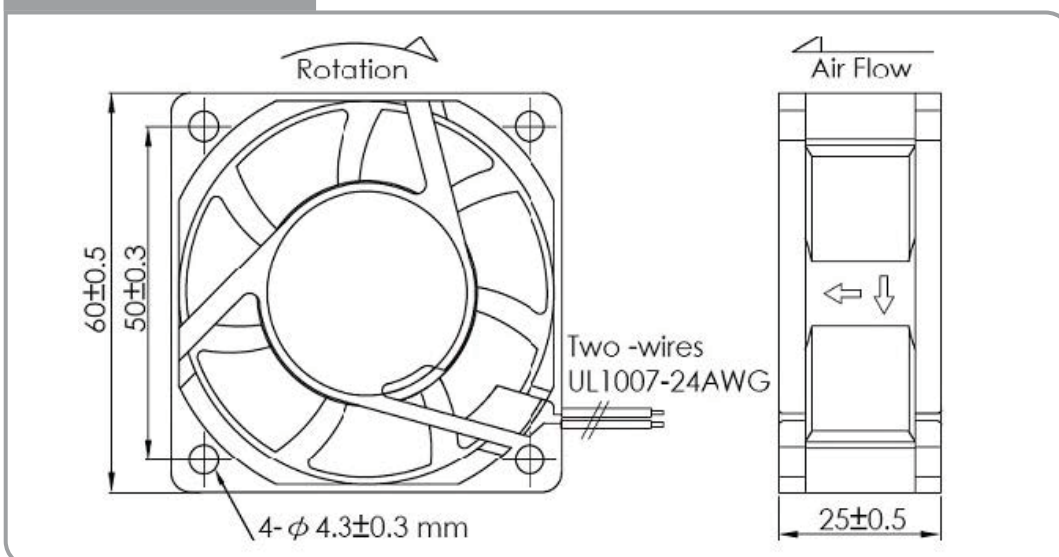
Electrical

Dielectric Strength: 500 VAC/min. Max leakage 500mA
 Speed Control: Optional: PWM, S/C NTC thermister on request
 Signal Output: Optional: R/D alarm output, tachometer output F/G

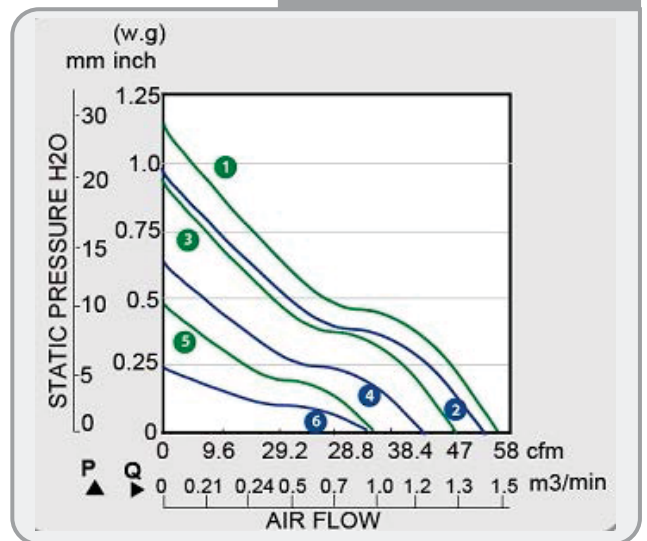
Environment

Operating Temp: Ambient non-condensing -15°C~+65°C
 Storage Temp: -25°C~+80°C (at 65%RH)
 Life Expectancy: L10 60K hours at 45°C, 45K hours at 65°C

▶ Outline Dimensions.



▶ Performance P-Q Curves.



Fan Accessories

- Metal Fan Guards
- Plastic Fan Guards
- Plastic Fan Filter
- Metal Fan Screens